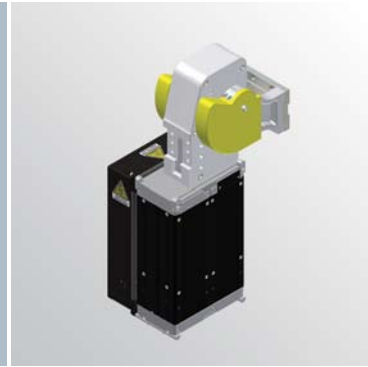


LAGE0500

Power pivot



L	A	G	E	0	5	0	0	V	D	0
1				2			3	4	5	

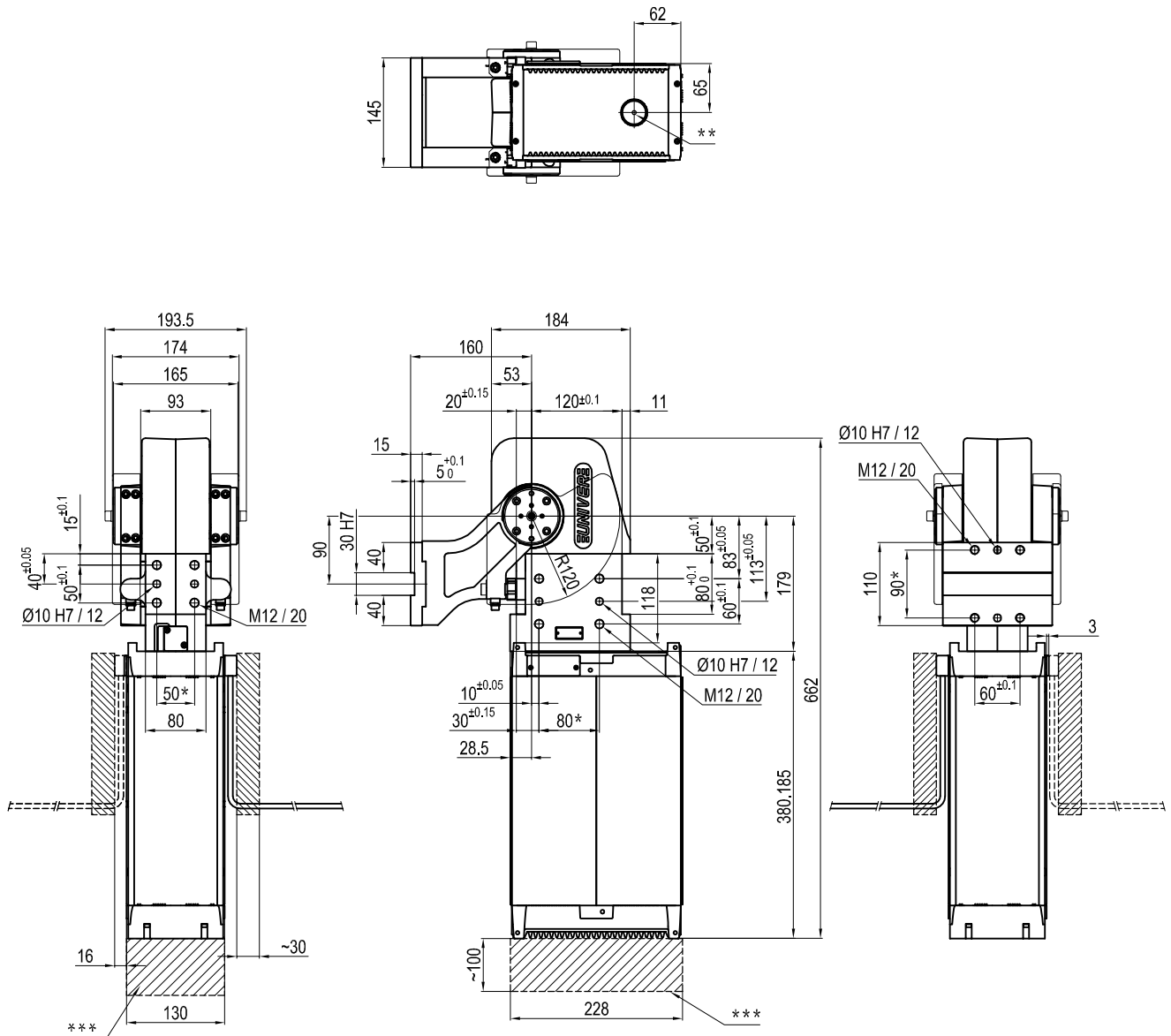
1 Series	2 Size	3 Pivot mount style	
LAGE = Power pivot	0500	V = 90°	O = 180°

4 Control module position	5 Voltage
D = Right side S = Left side R = Remoted - cable to be ordered separately	O = 400 V ac 1 = 480 V ac

Pivot rotation in degrees:

- 120°
- 90° (Standard)
- 60°
- 45°

It will always be supplied with LKMOSC and TZ-CVLAGE-__ __



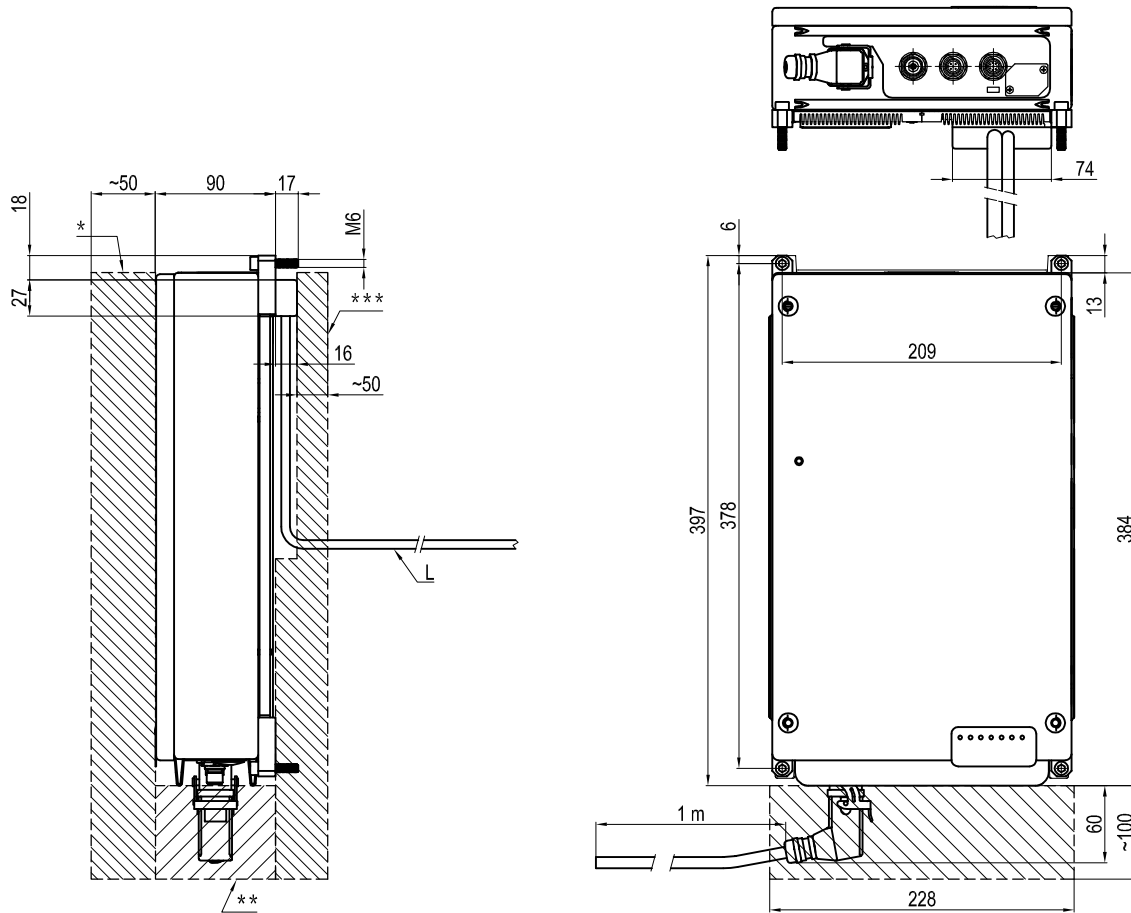
Size	Holding moment	Max bending moment with nominal voltage	Time to close	Weight
500	6000 Nm	500 Nm	1,7 ÷ 3,7 Sec.x 90°	39 Kg

Operating temperature: $5^{\circ} \pm 45^{\circ} \text{C}$
 Predeterminable pivot rotation in degrees: $45^{\circ} - 60^{\circ} - 90^{\circ} - 120^{\circ}$
 Vertical arm mount position
 Protection class: **IP 65**

* : TOLERANCE BETWEEN DOWEL HOLES ± 0.02 , TO SCREW HOLES ± 0.1
 ** : MANUAL OPERATION: COVER KEY $\varnothing=5$, KEY TO MOVE THE TABLE $\varnothing=10$
 *** : SPACE FOR MANUAL OPERATIONS

Subject to technical modifications without notice

Remoted control unit for LAGE0500 - LAGE1000



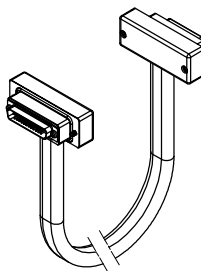
* : SPACE FOR OPERATING ON THE ELECTRONIC COMPONENTS
 ** : ROOM FOR CONNECTORS
 *** : SPACE TO REMOTE THE CONTROL UNIT

Operating temperature : $5^{\circ} \div 45^{\circ} \text{ C}$
 Protection class : **IP 65**

TZ-CVLAGE-__ __

Cable for the connection between the power pivot and remote control unit: available in 4 lenghts

Ordering code	L
TZ-CVLAGE-050	5 m
TZ-CVLAGE-100	10 m
TZ-CVLAGE-150	15 m
TZ-CVLAGE-200	20 m



Operating temperature : $5^{\circ} \div 45^{\circ} \text{ C}$
 Protection class : **IP 65**