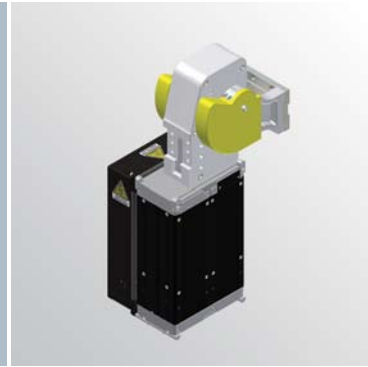


LAGE0500

Power pivot



L	A	G	E	0	5	0	0	V	D	0
1			2				3	4	5	

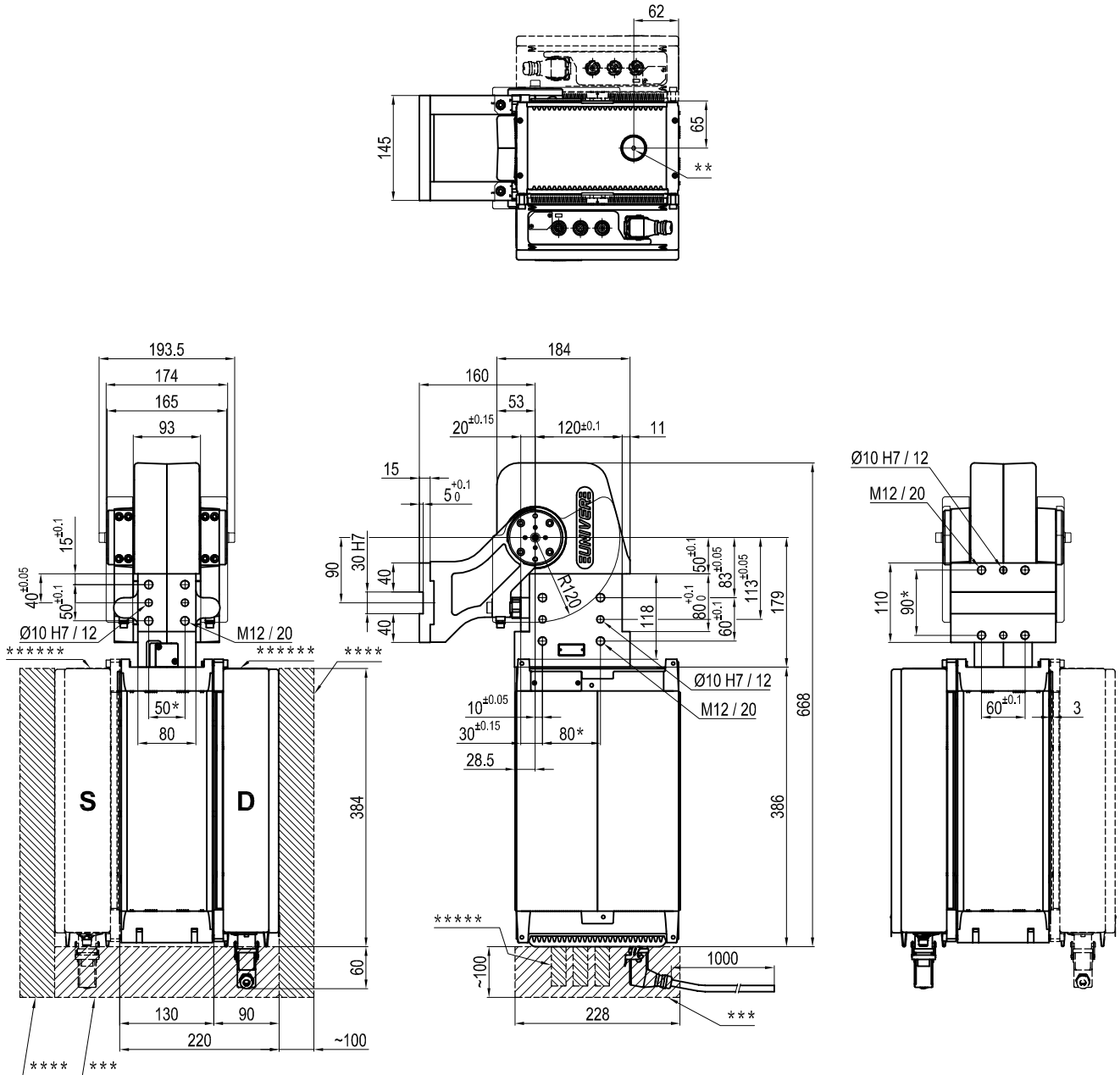
1 Series	2 Size	3 Pivot mount style	
LAGE = Power pivot	0500	V = 90°	O = 180°

4 Control module position	5 Voltage
D = Right side S = Left side R = Remoted - cable to be ordered separately	O = 400 V ac 1 = 480 V ac

Pivot rotation in degrees:

- 120°
- 90° (Standard)
- 60°
- 45°

Electric power pivot

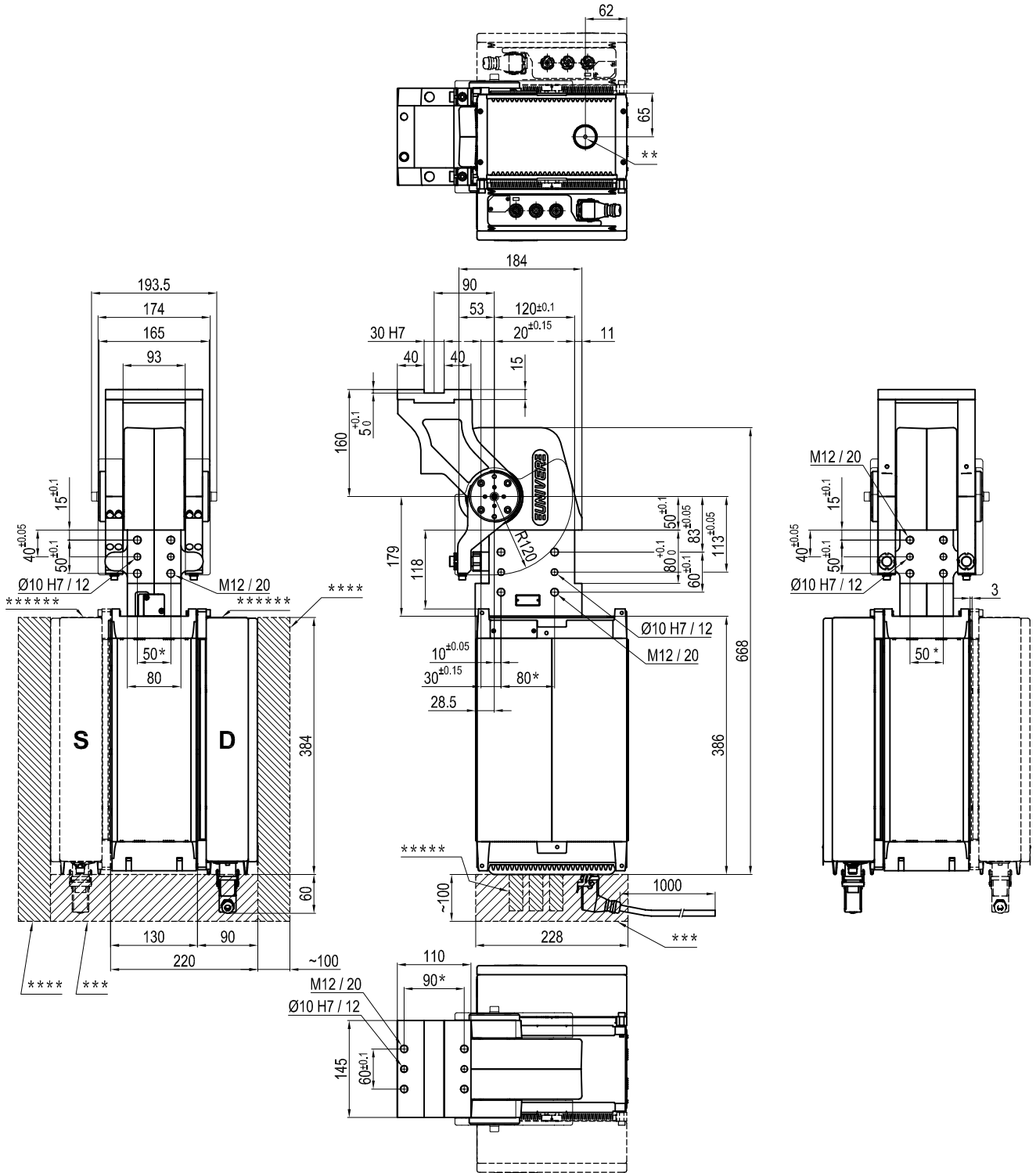


Size	Holding moment	Max bending moment with nominal voltage	Time to close	Weight
500	6000 Nm	500 Nm	1,7 ÷ 3,7 Sec.x 90°	53 Kg

Operating temperature: $5^{\circ} \pm 45^{\circ} \text{C}$
 Predeterminable pivot rotation in degrees: $45^{\circ} - 60^{\circ} - 90^{\circ} - 120^{\circ}$
 Vertical arm mount position
 Protection class: **IP 65**

- * : TOLERANCE BETWEEN DOWEL HOLES ± 0.02 , TO SCREW HOLES ± 0.1
- ** : MANUAL OPERATION: COVER KEY $\varnothing = 5$, KEY TO MOVE THE TABLE $\varnothing = 10$
- *** : SPACE FOR MANUAL OPERATIONS
- **** : SPACE FOR OPERATING ON THE ELECTRONIC COMPONENTS
- ***** : ROOM FOR CONNECTORS
- ***** : CONTROL UNIT MOUNTING POSITION : D= RIGHT ; L= LEFT

Subject to technical modifications without notice



Size	Holding moment	Max bending moment with nominal voltage	Time to close	Weight
500	6000 Nm	500 Nm	1,7 + 3,7 Sec.x 90°	52.5 Kg

Operating temperature: $5^{\circ} \pm 45^{\circ} \text{ C}$
 Predeterminable pivot rotation in degrees: $45^{\circ} - 60^{\circ} - 90^{\circ} - 120^{\circ}$
 Horizontal arm mount position
 Protection class: **IP 65**

- * : TOLERANCE BETWEEN DOWEL HOLES ± 0.02 , TO SCREW HOLES ± 0.1
- ** : MANUAL OPERATION: COVER KEY $\varnothing = 5$, KEY TO MOVE THE TABLE $\varnothing = 10$
- *** : SPACE FOR MANUAL OPERATIONS
- **** : SPACE FOR OPERATING ON THE ELECTRONIC COMPONENTS
- ***** : ROOM FOR CONNECTORS
- ***** : CONTROL UNIT MOUNTING POSITION : D= RIGHT ; L= LEFT

Subject to technical modifications without notice