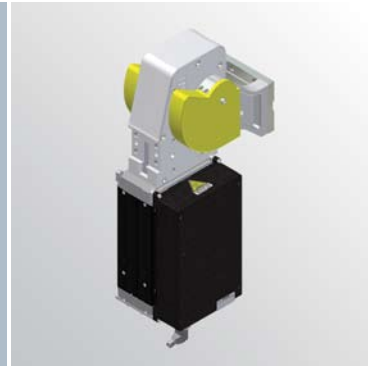


LAGE1000

Power pivot



L	A	G	E	1	0	0	0	V	D	0
1				2			3	4	5	

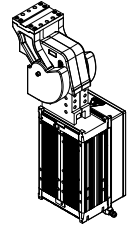
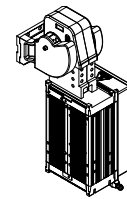
1 Series	2 Size	3 Pivot mount style	
-----------------	---------------	----------------------------	--

LAGE = Power pivot

1000

V = 90°

O = 180°



4 Control Module Position	5 Voltage
----------------------------------	------------------

D = Right

S = Left

R = Remoted - cable to be ordered separately

O = 400 V ac

1 = 480 V ac

Pivot rotation in degrees:

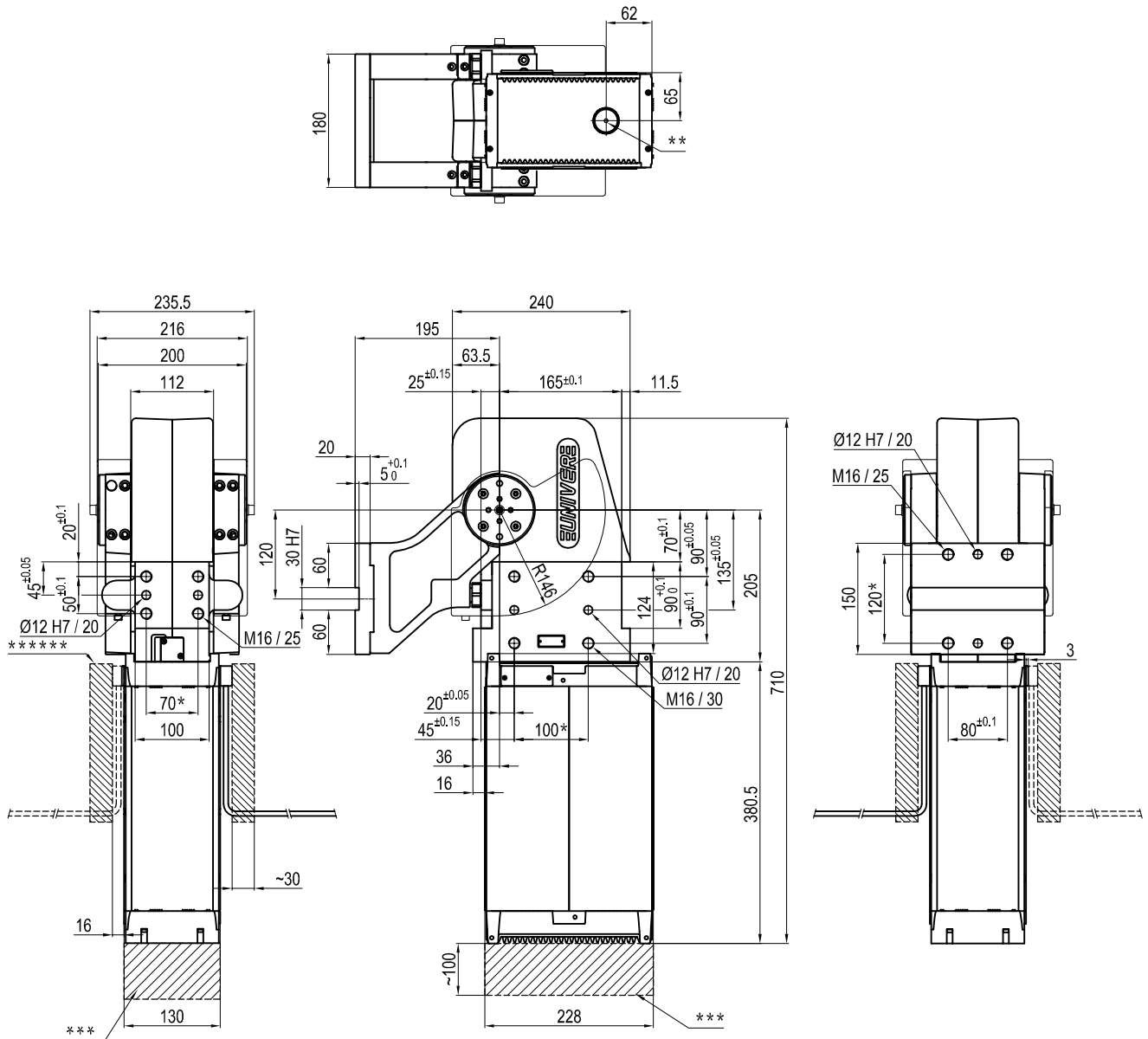
120°

90° (Standard)

60°

45°

It will always be supplied with LKMOSC and TZ-CVLAGE-__ _



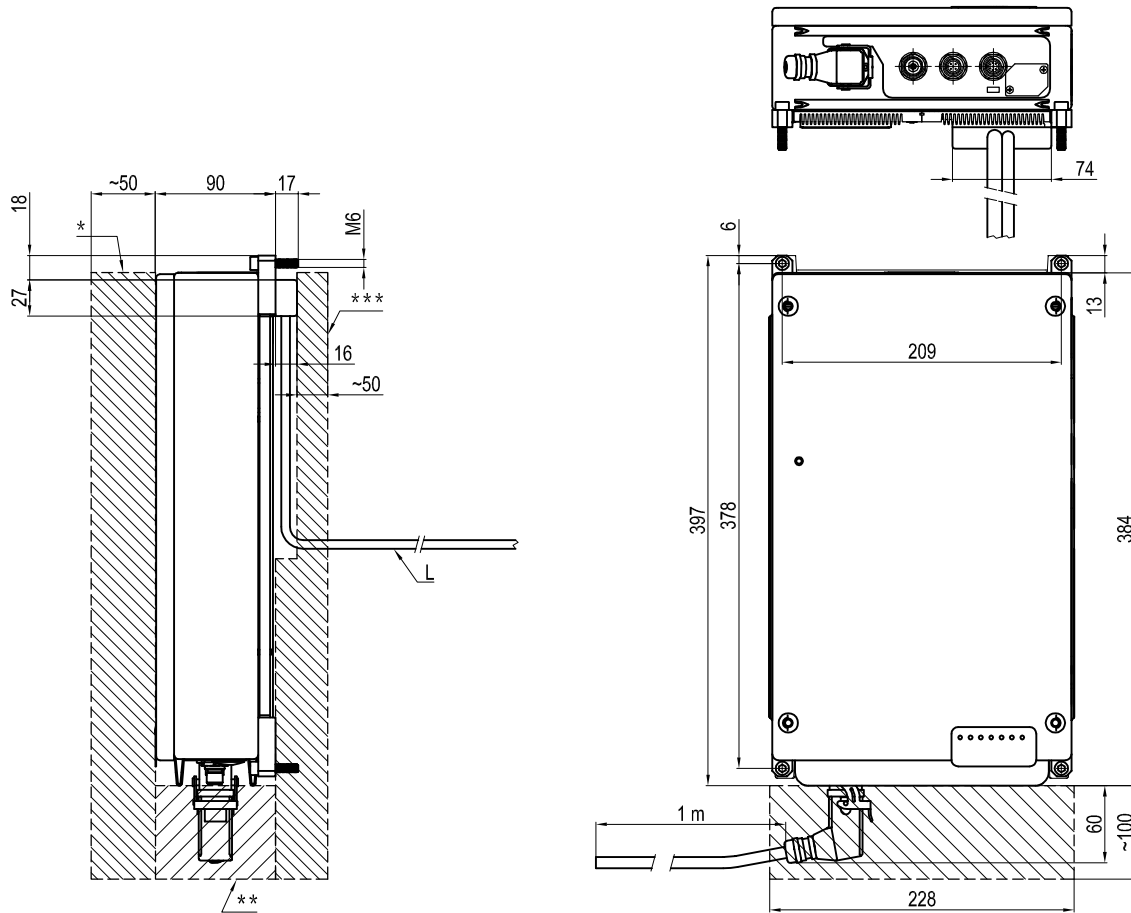
Size	Holding moment	Max bending moment with nominal voltage	Time to close	Weight
1000	8000 Nm	1000 Nm	2,1 + 3,7 Sec.x 90°	52.5 Kg

Operating temperature: $5^{\circ} \pm 45^{\circ} \text{C}$
 Predeterminable pivot rotation in degrees: $45^{\circ} - 60^{\circ} - 90^{\circ} - 120^{\circ}$
 Vertical arm mount position
 Protection class: **IP 65**

* : TOLERANCE BETWEEN DOWEL HOLES ± 0.02 , TO SCREW HOLES ± 0.1
 ** : MANUAL OPERATION: COVER KEY $\varnothing=5$, KEY TO MOVE THE TABLE $\varnothing=10$
 *** : SPACE FOR MANUAL OPERATIONS

Subject to technical modifications without notice

Remoted control unit for LAGE0500 - LAGE1000



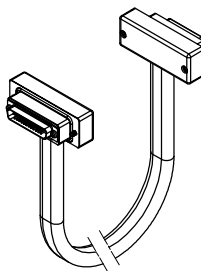
* : SPACE FOR OPERATING ON THE ELECTRONIC COMPONENTS
 ** : ROOM FOR CONNECTORS
 *** : SPACE TO REMOTE THE CONTROL UNIT

Operating temperature : $5^{\circ} \div 45^{\circ} \text{ C}$
 Protection class : **IP 65**

TZ-CVLAGE-__

Cable for the connection between the power pivot and remote control unit: available in 4 lenghts

Ordering code	L
TZ-CVLAGE-050	5 m
TZ-CVLAGE-100	10 m
TZ-CVLAGE-150	15 m
TZ-CVLAGE-200	20 m



Operating temperature : $5^{\circ} \div 45^{\circ} \text{ C}$
 Protection class : **IP 65**