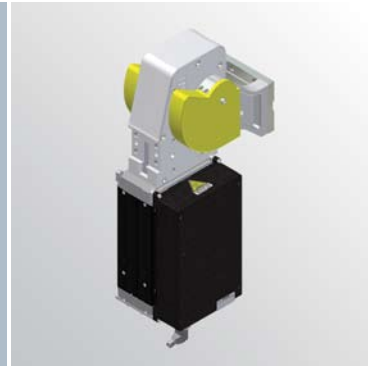


# LAGE1000

Power pivot



L	A	G	E	1	0	0	0	V	D	0
1				2			3	4	5	

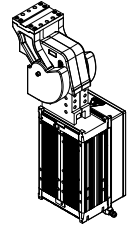
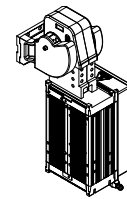
<b>1 Series</b>	<b>2 Size</b>	<b>3 Pivot mount style</b>	
-----------------	---------------	----------------------------	--

LAGE = Power pivot

1000

V = 90°

O = 180°



<b>4 Control Module Position</b>	<b>5 Voltage</b>
----------------------------------	------------------

D = Right

S = Left

R = Remoted - cable to be ordered separately

O = 400 V ac

1 = 480 V ac

**Pivot rotation in degrees:**

120°

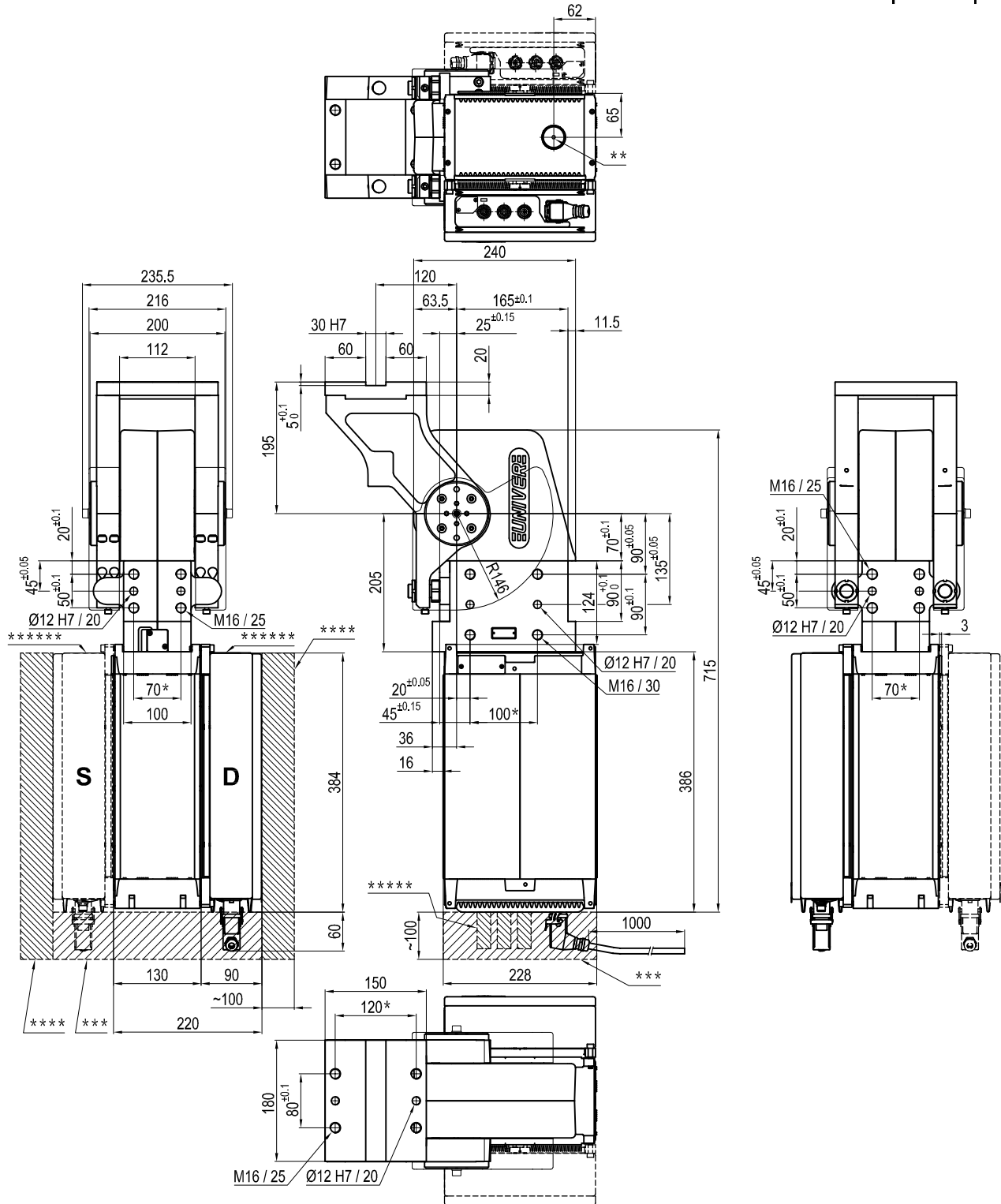
90° (Standard)

60°

45°







Size	Holding moment	Max bending moment with nominal voltage	Time to close	Weight
1000	8000 Nm	1000 Nm	2,1 + 3,7 Sec.x 90°	66.5 Kg

Operating temperature:  $5^{\circ} \pm 45^{\circ} \text{C}$   
 Predeterminable pivot rotation in degrees:  $45^{\circ} - 60^{\circ} - 90^{\circ} - 120^{\circ}$   
 Horizontal arm mount position  
 Protection class: **IP 65**

- \* : TOLERANCE BETWEEN DOWEL HOLES  $\pm 0.02$ , TO SCREW HOLES  $\pm 0.1$
- \*\* : MANUAL OPERATION: COVER KEY  $\varnothing = 5$ , KEY TO MOVE THE TABLE  $\varnothing = 10$
- \*\*\* : SPACE FOR MANUAL OPERATIONS
- \*\*\*\* : SPACE FOR OPERATING ON THE ELECTRONIC COMPONENTS
- \*\*\*\*\* : ROOM FOR CONNECTORS
- \*\*\*\*\* : CONTROL UNIT MOUNTING POSITION : D= RIGHT ; L= LEFT

Subject to technical modifications without notice