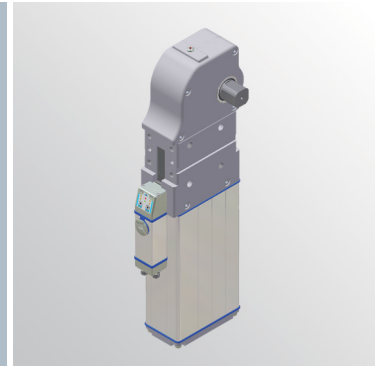


# LNE950

Power clamp conforming to NAAMS Standards



L	N	E	9	5	0	N	L	2	0
1		2			3	4	5		

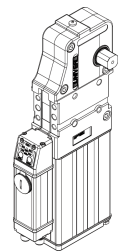


<b>1</b> Series	<b>2</b> Size	<b>3</b> Clamping arm
-----------------	---------------	-----------------------

**LNE** = Power clamp conforming to NAAMS Standards

**950**

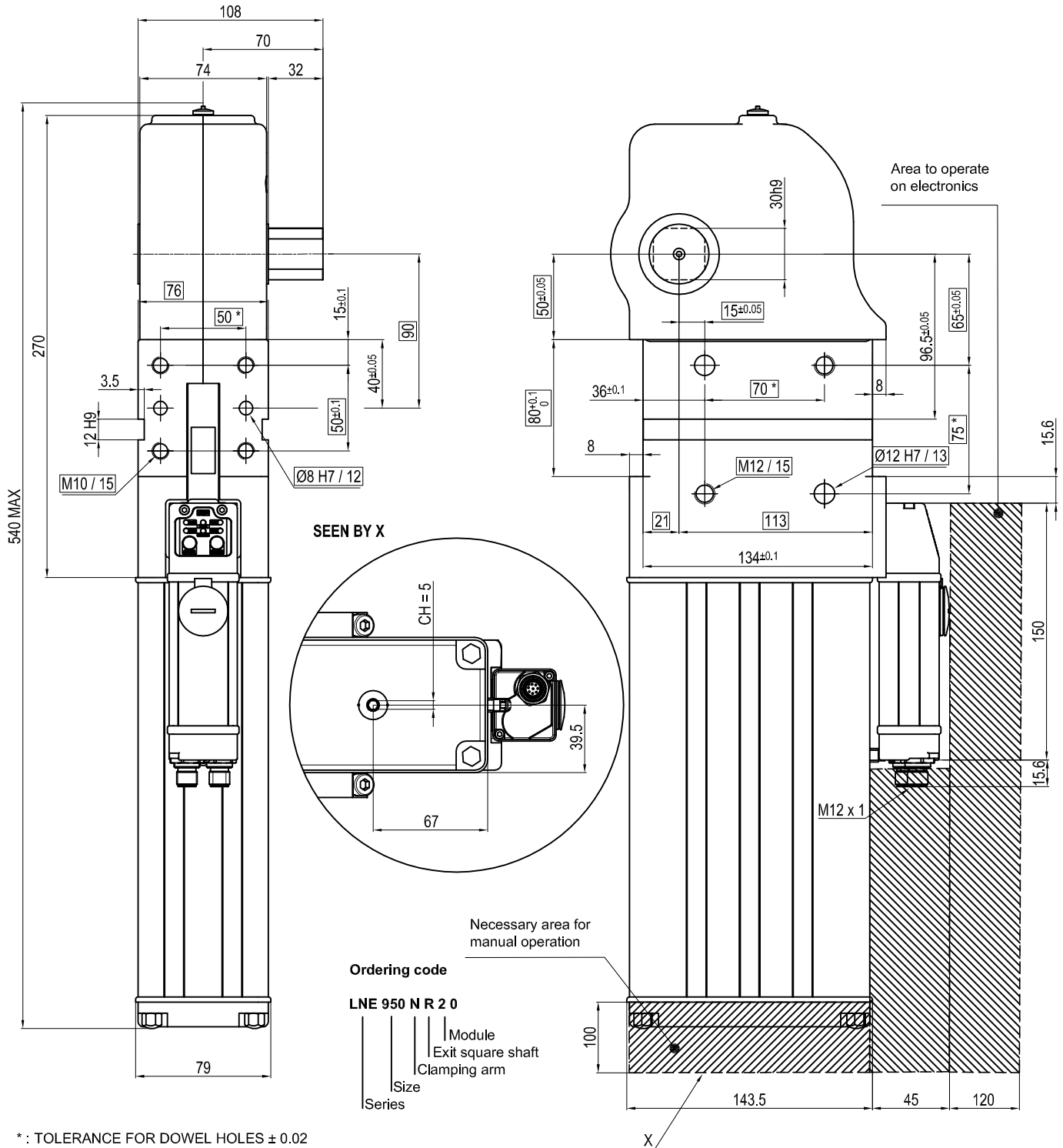
**N** = no arm



<b>4</b> Output shaft mounting options	<b>5</b> Control module
--	-------------------------

**N** = Dual square shaft  
**L** = left side only  
**R** = right side only

**20** = 2 connectors - standard software



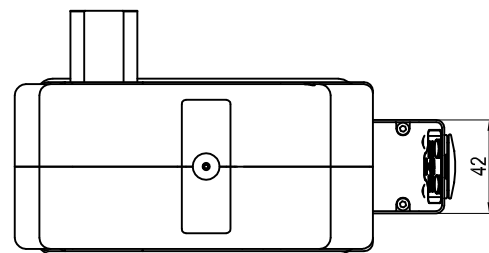
\* : TOLERANCE FOR DOWEL HOLES  $\pm 0.02$   
FOR SCREW HOLES  $\pm 0.1$

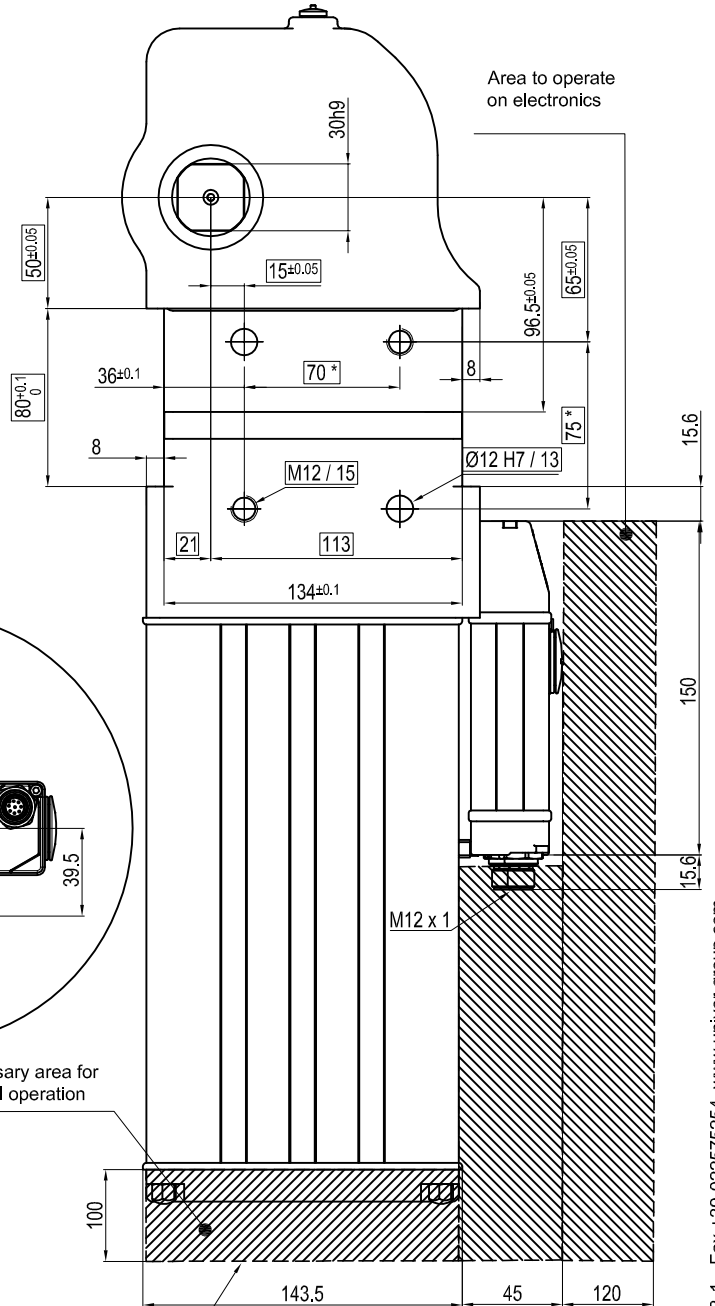
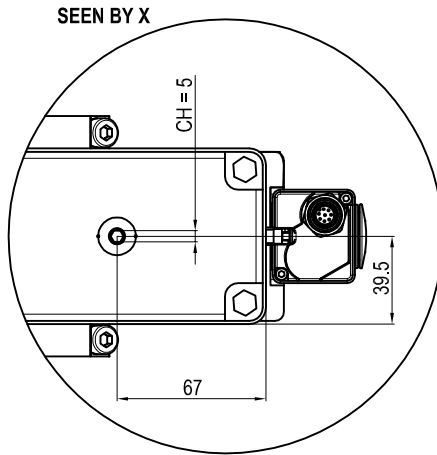
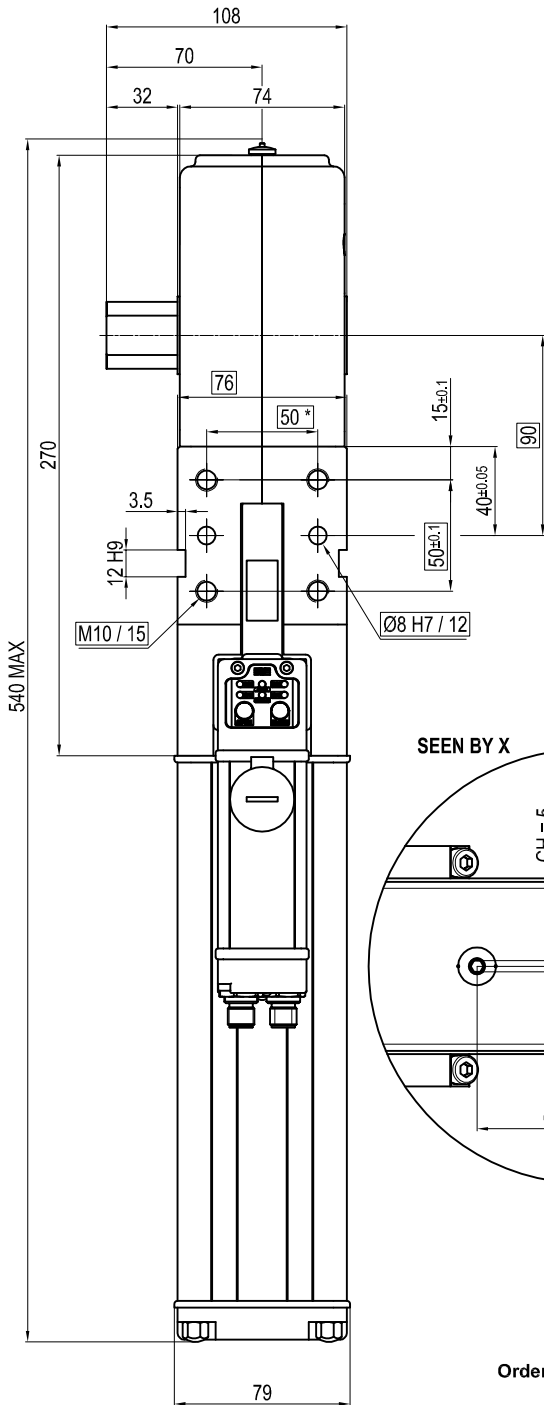
Temperature range :  $5^{\circ} + 40^{\circ}\text{C}$   
Opening angles available :  $130^{\circ} - 105^{\circ} - 90^{\circ} - 75^{\circ} - 60^{\circ} - 45^{\circ} - 30^{\circ} - 15^{\circ}$   
Without arm  
Class protection : **IP 65**

The quotas in the panel refer to NAAMS norms

Size	Clamping Torque	Sec. to clamping point	Max weight
950	1000 Nm	1 sec x $90^{\circ}$	11.5 Kg.

Subject to technical modifications without notice



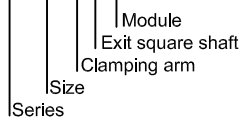


Necessary area for manual operation

\* : TOLERANCE FOR DOWEL HOLES  $\pm 0.02$   
FOR SCREW HOLES  $\pm 0.1$

**Ordering code**

**LNE 950 N L 2 0**

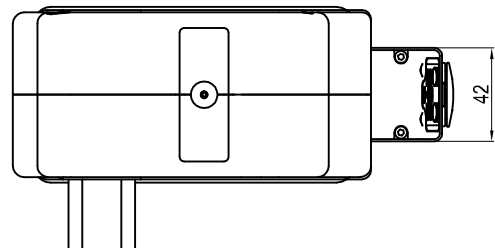


Temperature range :  $5^{\circ} + 40^{\circ}\text{C}$   
Opening angles available :  $130^{\circ} - 105^{\circ} - 90^{\circ} - 75^{\circ} - 60^{\circ} - 45^{\circ} - 30^{\circ} - 15^{\circ}$   
Without arm  
Class protection : **IP 65**

The quotas in the panel refer to NAAMS norms

Size	Clamping Torque	Sec. to clamping point	Max weight
950	1000 Nm	1 sec x $90^{\circ}$	11.5 Kg.

Subject to technical modifications without notice



UNIVER S.p.A. Headquarters:  
I - 20128 MILANO Via Eracilito, 31 - Tel. +39-0225298-1 - Fax +39-022575254 www.univer-group.com  
A TERMINE DI LEGGE CI RISERVIAMO LA PROPRIETA' DI QUESTO DISEGNO CON DIVIETO COMUNQUE NOTO A TERZO DI RIPRODURLO O DI RENDERSI CONCORRENTI SENZA NOSTRA SPECIFICA AUTORIZZAZIONE