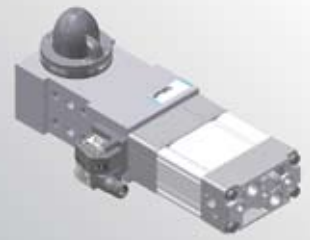


# LSP50U

Pneumatic pin clamp



L	S	P	5	0	U	U	3	1	0	0	0	0
1	2	3		4	5	6	7	8	9			

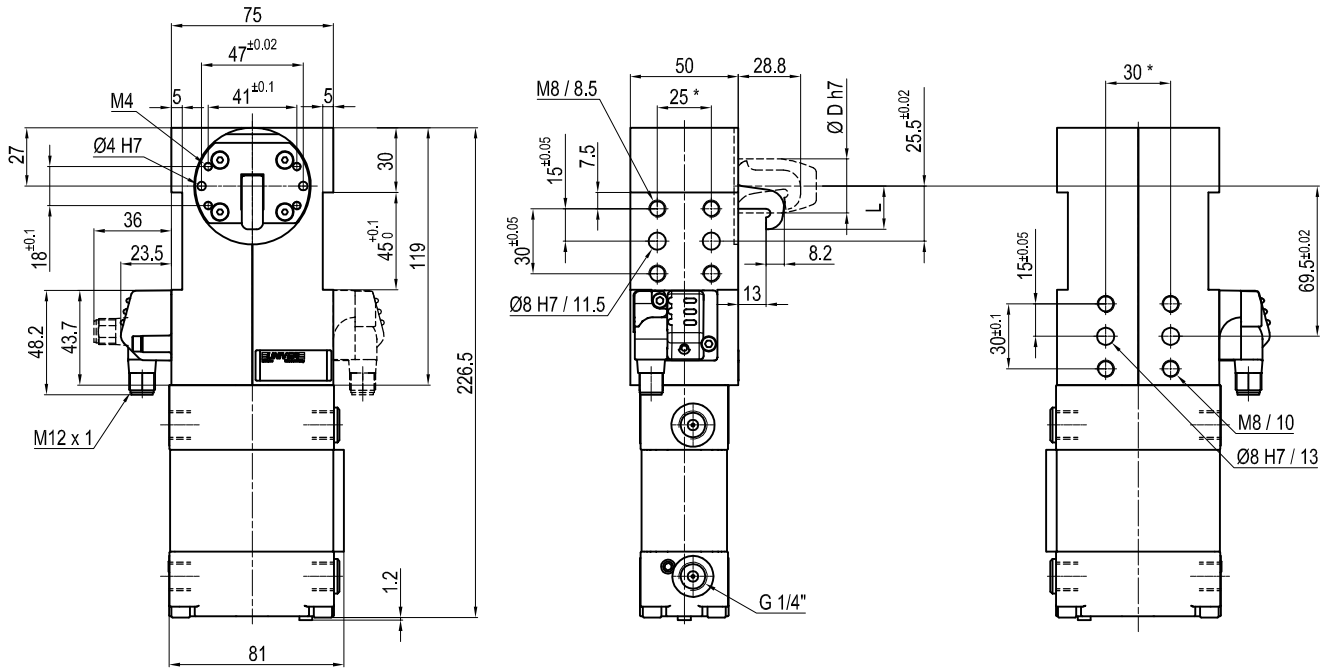
<b>1 Series</b>	<b>2 Version</b>	<b>3 Size</b>
LS = Pneumatic pin clamp	P = Pneumatic standard	50 = Ø 50 mm

<b>4 Model</b>	<b>5 Sensing style</b>	<b>6 Pin diameter</b>
U = Orthogonal	U = Electronic 24 Vdc sensor with M12 swivel connector	2 = Ø 20 mm 3 = Ø 25 mm 4 = Ø 30 mm 5 = Ø 35 mm

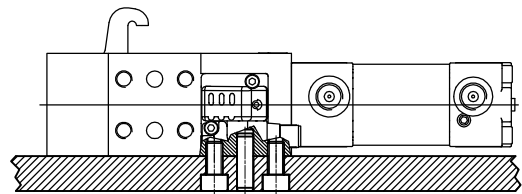
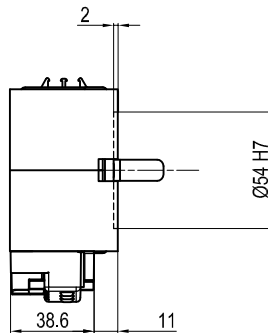
<b>7 Locating pin</b>	<b>8 Working height</b>	<b>9 Progressive numbering</b>
0 = Locating pin non included 1 = Locating pin included	0 = Standard Others upon request	Progressive numbers for special products are assigned by the Sales Dept.



## Pneumatic pin clamp



$\varnothing D$	L
20	17,5
25	20
30	22,5
35	25



Bore $\varnothing$	Clamping force	Weight
50 mm	400 Kg	2.2 Kg

Min./Max. operating pressure: **0,4 / 0,8 MPa**

Operating temperature: **5° + 45° C**

Electronic 24 Vdc sensor with M12 swivel connector that can be orientated at 0° or 90°

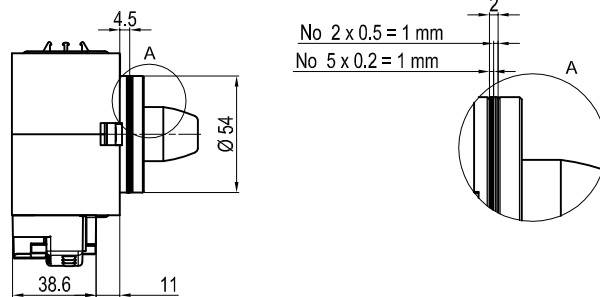
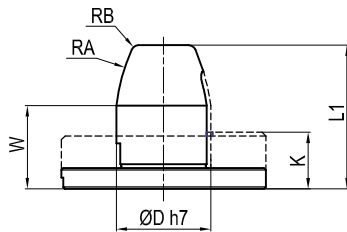
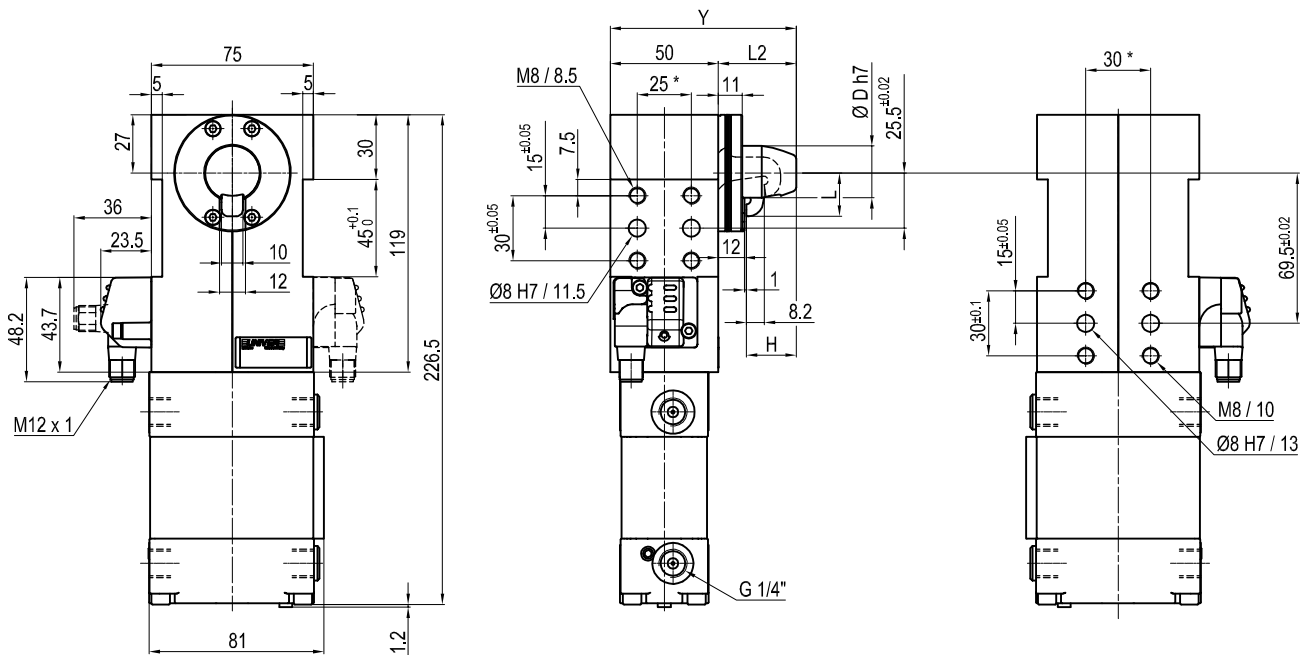
Protection Class: **IP 54**

Pneumatic ports on both sides

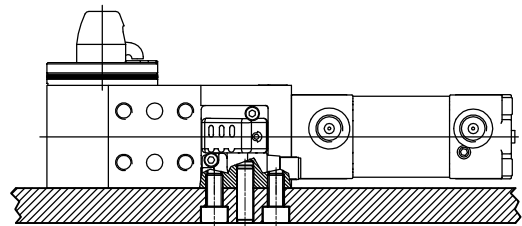
\* : TOLERANCE BETWEEN DOWEL HOLES  $\pm 0.02$ , TO SCREW HOLES  $\pm 0.1$   
THE SENSOR CAN BE MOUNTED ON EITHER RIGHT OR LEFT SIDE

SUBJECT TO TECHNICAL MODIFICATIONS WITHOUT NOTICE

## Pneumatic pin clamp



ØD	H	K	L	L1	L2	RA	RB	W	Y
20	23	14	17,5	38	36	70	2	22	86
25	23	14	20	38	36	55	2	22	86
30	30	14	22,5	45	42	33	2	22	92
35	30	14	25	45	42	28	2	22	92



Bore Ø	Clamping force	Weight
50 mm	400 Kg	2.2 Kg

Min./Max. operating pressure: **0,4 / 0,8 MPa**  
 Operating temperature: **5° + 45° C**  
 Electronic 24 Vdc sensor with M12 swivel connector that can be orientated at 0° or 90°  
 Protection Class: **IP 54**  
 Pneumatic ports on both sides

\* : TOLERANCE BETWEEN DOWEL HOLES ± 0.02, TO SCREW HOLES ± 0.1  
 THE SENSOR CAN BE MOUNTED ON EITHER RIGHT OR LEFT SIDE

SUBJECT TO TECHNICAL MODIFICATIONS WITHOUT NOTICE